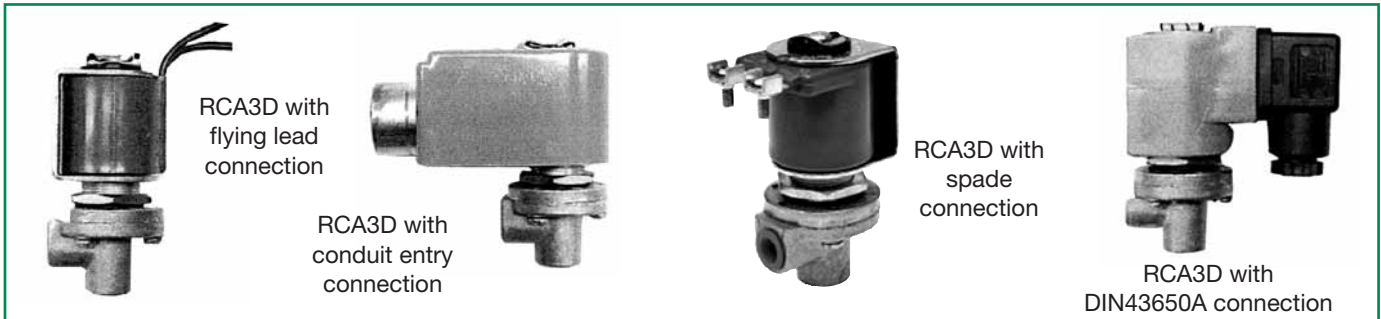


Technical Specification
RCA3D Remote Pilot

Remote solenoid pilot valve to control the actuation of dust collector diaphragm valves.



Suitable for

All Goyen dust collector diaphragm valves.

Installation

Prepare pilot mounting hole in panel to Ø19.3/19.4 (Ø0.760"). Panel thickness must exceed 1.5mm (0.062"). Ensure o-ring is in place before tightening locknut. Preferably, install pilot valves with solenoid on top. For reliable operation, ensure supply voltage is within -10% and +15% of rated solenoid voltage. Replace components within 1 million cycles (refer to Spare Parts)

Construction

- Body: Aluminium (diecast)
- Ferrule: 304 SS
- Armature: 430FR SS
- Seals: Nitrile
- Locknut: Mild steel zinc passivated
- Screws: 302 SS
- Clip: Mild steel (plated)

Operation

Recommended on time range: 50-500ms
Recommended time between pulses: 1 minute or greater

Approvals

- C-Tick
- EMC (89/336/CE)

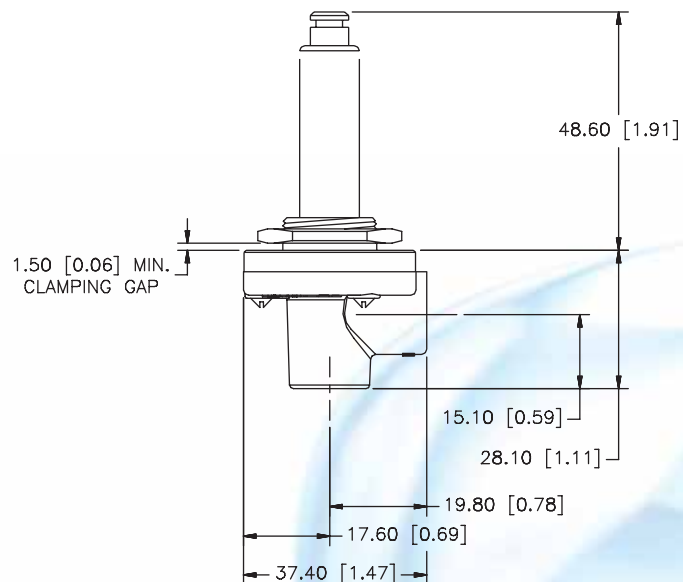
Options

None

Dimensions and Weights

(Dimensions in mm and inches)

Series	Weight
RCA3D0, RCA3D1 (no solenoid)	0.174 kg/0.384 lb



Product Performance

Flow	Maximum Working Pressure	Minimum Working Pressure	Temperature Min	Temperature Max	Fluid Media
0.32 Cv	860 kPa	0 kPa	-40°C	82°C	Air or inert gas
0.27 Kv	125 psi	0 psi	-40°F	180°F	

Order Code*

Model	Thread Type	Orifice Size
RCA3D0-...	1/8" NPT	3.2mm (0.126")
RCA3D1-...	1/8" BSPP	3.2mm (0.126")

*Please refer to Q Series Solenoid product data sheet on Page 3 for information on electrical characteristics and to complete the order code, e.g. 1/8" NPT pilot valve with 240VAC solenoid = RCA3D0-300

Spare Parts

- K0380 Replacement seal, armature, spring & ferrule kit.
- K0384 As above in viton.

Order Code and Electrical Characteristics

Model	Connection Type	Protection Class	Voltage	Power
3D0 Series = 1/8" NPT				
3D0-300	DIN 43650A	IP64	200/240V 50/60Hz	23.1 VA
3D0-301	DIN 43650A	IP64	100/120V 50/60Hz	19.8 VA
3D0-302	DIN 43650A	IP64	24V 50/60 Hz	23.1 VA
3D0-303	DIN 43650A	IP64	110VDC	24 W
3D0-304	DIN 43650A	IP64	48VDC	20 W
3D0-305	DIN 43650A	IP64	24VDC	20 W
3D0-306	DIN 43650A	IP64	12VDC	20 W
3D0-310	Conduit (M20x1.5)	IP31	200/240V 50/60Hz	23.1 VA
3D0-311	Conduit (M20x1.5)	IP31	100/120V 50/60Hz	19.8 VA
3D0-312	Conduit (M20x1.5)	IP31	24V 50/60 Hz	23.1 VA
3D0-313	Conduit (M20x1.5)	IP31	24VDC	20 W
3D0-314	Conduit (M20x1.5)	IP31	12VDC	20 W
3D0-320	Conduit (1/2" NPSC)	IP31	200/240V 50/60Hz	23.1 VA
3D0-321	Conduit (1/2" NPSC)	IP31	100/120V 50/60Hz	19.8 VA
3D0-322	Conduit (1/2" NPSC)	IP31	24V 50/60 Hz	23.1 VA
3D0-323	Conduit (1/2" NPSC)	IP31	24VDC	20 W
3D0-324	Conduit (1/2" NPSC)	IP31	12VDC	20 W
3D0-330	Screw / spade	N/A	200/240V 50/60Hz	23.1 VA
3D0-331	Screw / spade	N/A	100/120V 50/60Hz	19.8 VA
3D0-332	Screw / spade	N/A	24V 50/60 Hz	23.1 VA
3D0-333	Screw / spade	N/A	240VDC	24 W
3D0-334	Screw / spade	N/A	110VDC	24 W
3D0-335	Screw / spade	N/A	48VDC	20 W
3D0-336	Screw / spade	N/A	24VDC	20 W
3D0-337	Screw / spade	N/A	12VDC	20 W
3D0-340	Flying Lead	IP64	200/240V 50/60Hz	23.1 VA
3D0-341	Flying Lead	IP64	100/120V 50/60Hz	19.8 VA
3D0-342	Flying Lead	IP64	24V 50/60 Hz	23.1 VA
3D0-343	Flying Lead	IP64	24VDC	20 W
3D0-344	Flying Lead	IP64	12VDC	20 W
3D1 Series = 1/8" BSPP				
3D1-300	DIN 43650A	IP64	200/240V 50/60Hz	23.1 VA
3D1-301	DIN 43650A	IP64	100/120V 50/60Hz	19.8 VA
3D1-302	DIN 43650A	IP64	24V 50/60 Hz	23.1 VA
3D1-303	DIN 43650A	IP64	110VDC	24 W
3D1-304	DIN 43650A	IP64	48VDC	20 W
3D1-305	DIN 43650A	IP64	24VDC	20 W
3D1-306	DIN 43650A	IP64	12VDC	20 W
3D1-310	Conduit (M20x1.5)	IP31	200/240V 50/60Hz	23.1 VA
3D1-311	Conduit (M20x1.5)	IP31	100/120V 50/60Hz	19.8 VA
3D1-312	Conduit (M20x1.5)	IP31	24V 50/60 Hz	23.1 VA
3D1-313	Conduit (M20x1.5)	IP31	24VDC	20 W
3D1-314	Conduit (M20x1.5)	IP31	12VDC	20 W
3D1-320	Conduit (1/2" NPSC)	IP31	200/240V 50/60Hz	23.1 VA
3D1-321	Conduit (1/2" NPSC)	IP31	100/120V 50/60Hz	19.8 VA
3D1-322	Conduit (1/2" NPSC)	IP31	24V 50/60 Hz	23.1 VA
3D1-323	Conduit (1/2" NPSC)	IP31	24VDC	20 W
3D1-324	Conduit (1/2" NPSC)	IP31	12VDC	20 W
3D1-330	Screw / spade	N/A	200/240V 50/60Hz	23.1 VA
3D1-331	Screw / spade	N/A	100/120V 50/60Hz	19.8 VA
3D1-332	Screw / spade	N/A	24V 50/60 Hz	23.1 VA
3D1-333	Screw / spade	N/A	240VDC	24 W
3D1-334	Screw / spade	N/A	110VDC	24 W
3D1-335	Screw / spade	N/A	48VDC	20 W
3D1-336	Screw / spade	N/A	24VDC	20 W
3D1-337	Screw / spade	N/A	12VDC	20 W
3D1-340	Flying Lead	IP64	200/240V 50/60Hz	23.1 VA
3D1-341	Flying Lead	IP64	100/120V 50/60Hz	19.8 VA
3D1-342	Flying Lead	IP64	24V 50/60 Hz	23.1 VA
3D1-343	Flying Lead	IP64	24VDC	20 W
3D1-344	Flying Lead	IP64	12VDC	20 W

Notes: RCA3D0-305 is an RCA3D remote pilot with 1/8" NPT threads and a 24VDC DIN43650A connection.
 RCA3D1-331 is an RCA3D remote pilot with 1/8" BSPP threads and 110/240VAC spade screw coil.