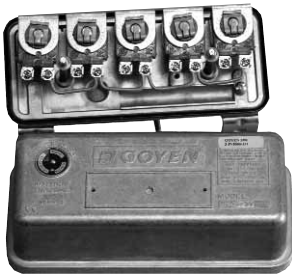


Technical Specification NEMA4/Raintight/  
ATEX II 3 D G Diecast Pilot Valve  
Enclosures (5, 8, 12 valve)

**Diecast aluminium enclosures for Goyen  
RCA3D pilot valves, available optionally  
with anti-condensation heater.**



3-5V Enclosure



3-8V Enclosure



3-12V Enclosure

### Suitable for

ATEX Category Ex II 3 GD and Ex II 2D IP64 and all other non-hazardous applications, for piloting Goyen diaphragm valves.

### Installation

Ensure device is disconnected from power before opening the enclosure. These enclosures are all finished with the common solenoid terminals pre-wired.

For reliable operation, ensure supply voltage is within -10% and +15% of rated solenoid voltage.

To guarantee NEMA4 performance ensure gasket is in place when attaching lid to enclosure base. Replace components within 1 million cycles (refer to Spare Parts).

### Construction

- Body: Aluminium (diecast)
- Pilot Body: Aluminium (diecast)
- Ferrule: 302 SS
- Armature: 430FR SS
- Seals: Nitrile
- Screws: 302 SS
- Clip: Mild steel (plated)
- Pilot Valve Thread Type: PA-6
- Conduit Entry Thread Type: PA-6

### Operation

- Recommended on time range: 50-500ms
- Recommended time between pulses: 1 minute or greater

### Options

None

### Product Performance

Flow	Maximum Working Pressure	Minimum Working Pressure	Temperature Min	Temperature Max	Fluid Media
0.32 Cv	860 kPa	0 kPa	-40°C	82°C	Air or inert gas
0.27 Kv	125 psi	0 psi	-40°F	180°F	

Refer to Q Series Solenoid product specification for electrical performance details.

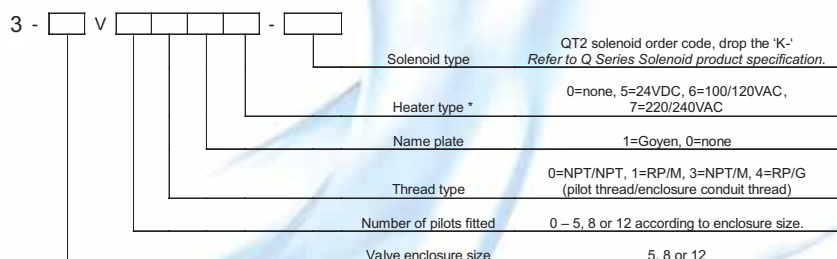
### Approvals

- C-Tick
- EMC (89/336/CE)

### Spare Parts

- K0380 Nitrile replacement seal, armature, spring & ferrule kit.
- K0384 As above in viton.
- RCA3D0-\*\*\* Replacement pilot assemblies.
- RCA3D1-\*\*\* Refer to RCA3D Remote Pilot product data sheet.

### Order Code



Example: 3-8V6010-330

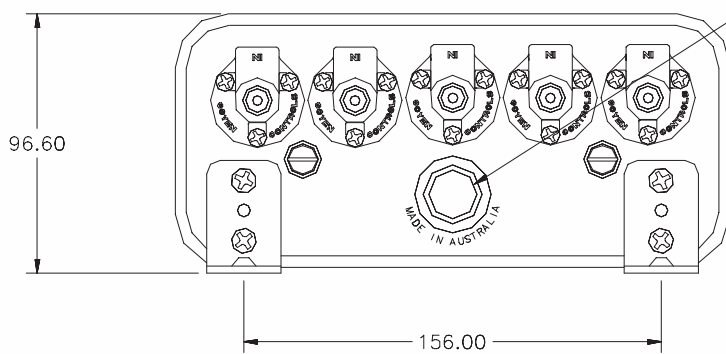
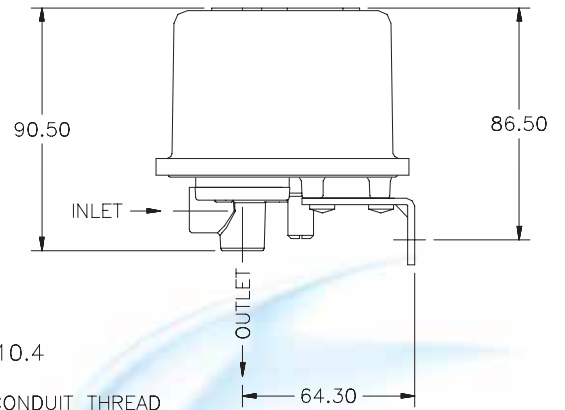
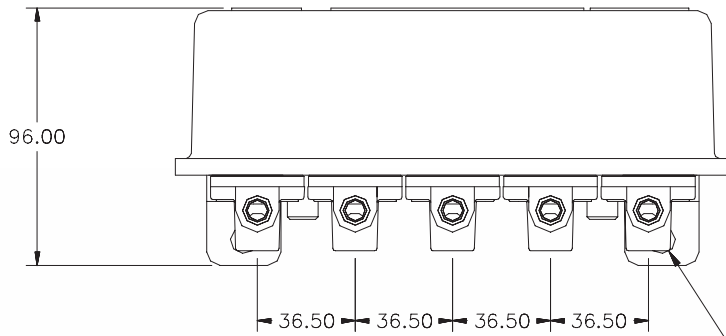
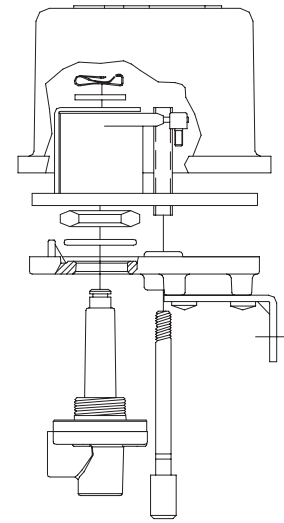
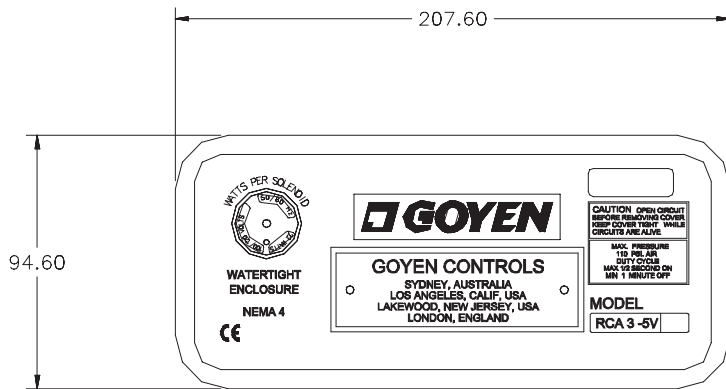
8 valve enclosure, fitted with 6 pilots, with NPT pilot and conduit thread type, Goyen name plate, no heater element and 220/240VAC 50/60Hz solenoids.

*Note that enclosures are pre-wired with QT2 type solenoids only.*

\* = heaters currently not available in 3-5V5 and 3-12V12 enclosures.

### Dimensions and Weights

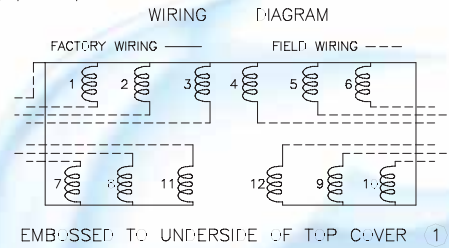
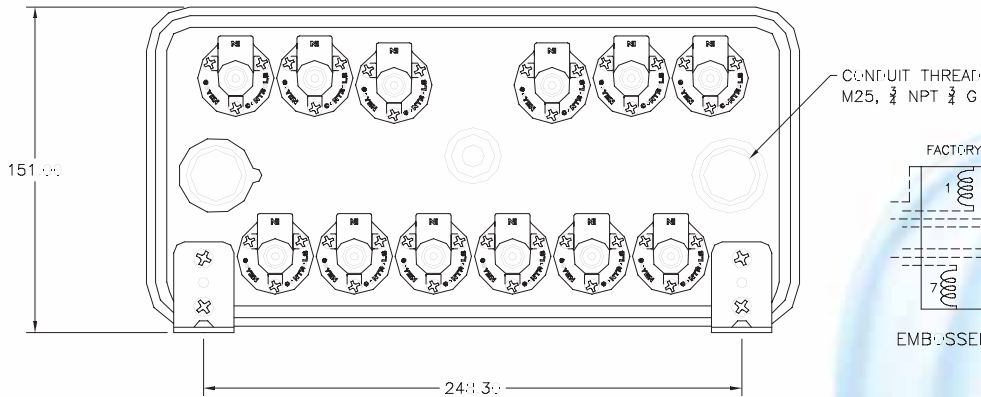
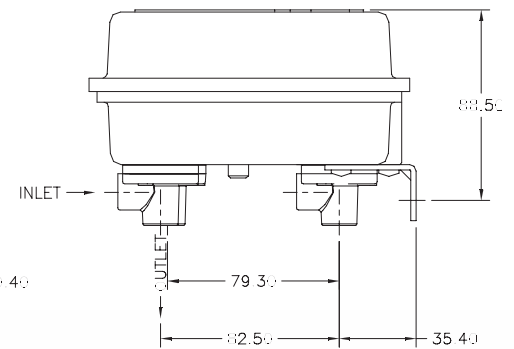
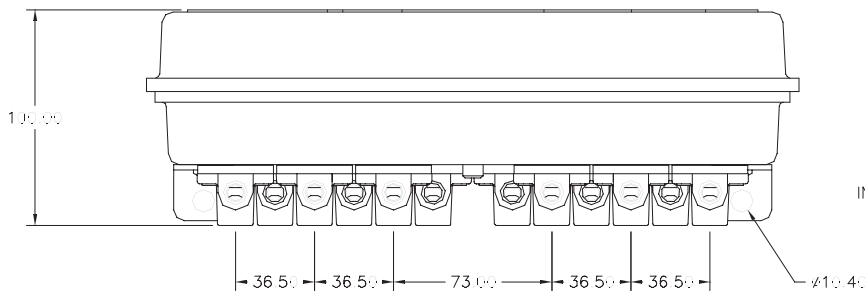
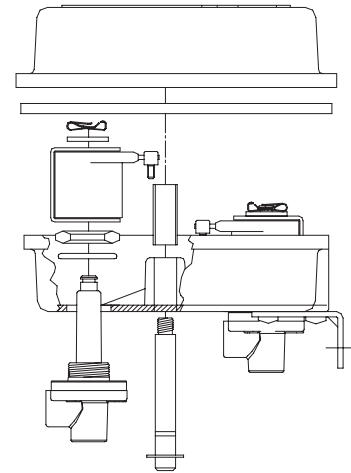
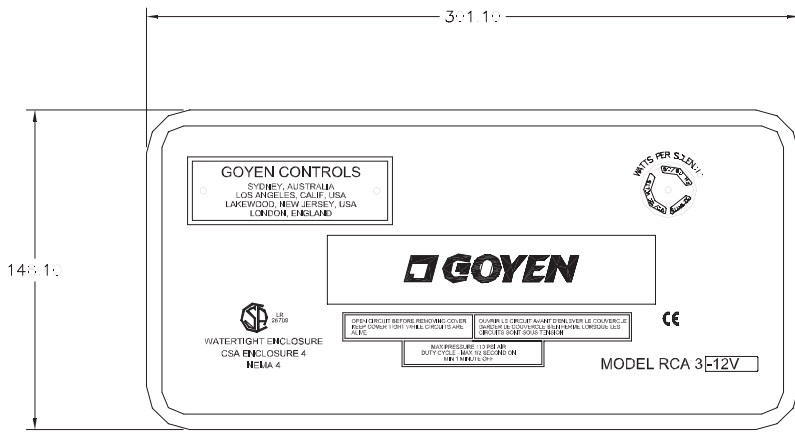
(Dimensions in mm)



#### 3-5V5 Series

Mass = 0.814 Kg + 0.174 Kg per valve pilot fitted  
 (1.795 lb + 0.384 lb per pilot valve fitted)





**3-12V12**

Mass = 1.574 Kg + 0.174 Kg per pilot valve fitted  
 (3.470 lb + 0.384 lb per pilot valve fitted)