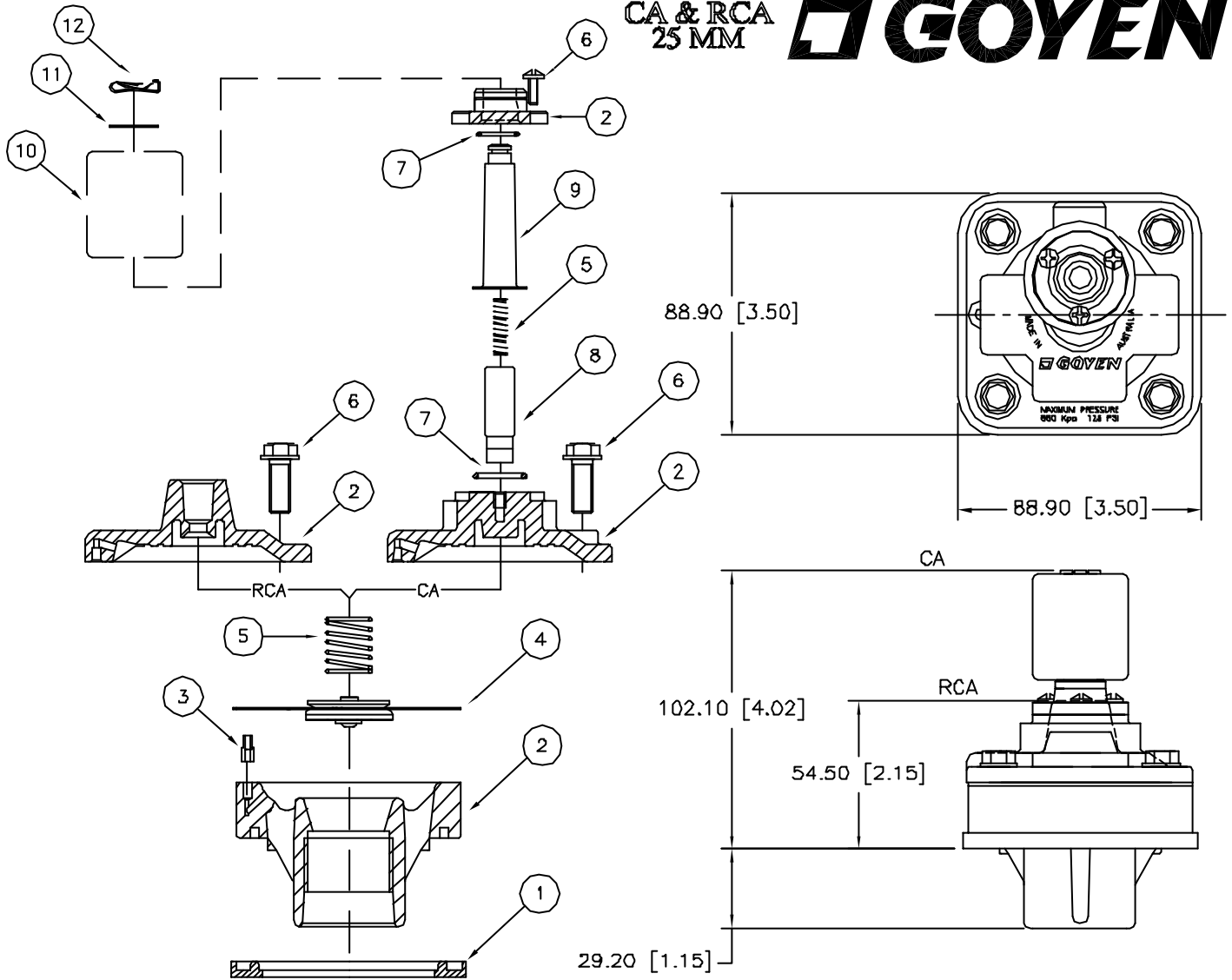


CA & RCA
25 MM

GOYEN



MECHANICAL DETAILS

No	DESCRIPTION	STANDARD MATERIAL	PORT OPTIONS	HI TEMP MATERIALS	KIT No STANDARD	KIT No HI TEMP
1	GASKET	NITRILE	N/A	VITON	-	-
2	BODY & COVER	ALUMINIUM DIE CAST CA313	1 1/2" PIPE	AS STANDARD	-	-
3	BLEED PIN	SPRUNG STEEL	N/A	AS STANDARD	-	-
4	MAIN DIAPHRAGM	BUNA N / NYLON	N/A	VITON	K2501	K2503
5	MAIN SPRING	304 STAINLESS STEEL	N/A	AS STANDARD	-	-
6	SCREWS	304 STAINLESS STEEL	N/A	AS STANDARD	-	-
7	O' RINGS	BUNA N / NITRILE	N/A	VITON	-	-
8	PLUNGER ASS'Y	430 FR STAINLESS STEEL	N/A	AS STANDARD	K0380	-
9	FERRULE/IRON TOP ASS'Y	305 STAINLESS STEEL	N/A	AS STANDARD	K0380	-
10	COIL ARRGMNT.	130° RATED NYLON ENCAPSULATION	QD -1/2 NPSC -M20x1.5	N/A	QR-K030-K0309 QD(M)-K0310-K0319 QD(N)-K0320-K0329	N/A
11	WASHER	PRESSED ALUMINIUM	N/A	AS STANDARD	-	-
12	CLIP	MECHANICAL PLATED STEEL	N/A	AS STANDARD	-	-

ELECTRICAL DETAILS

COIL VOLTAGE	200/240 VAC, 100/120 VAC, 24 VAC, 24 VDC, 12 VDC
COIL CONNECTION	QR - DIN CONNECTION QD CONDUIT ENTRY

WEIGHTS

UNIT WEIGHT	RCA = 0.500 Kg CA = 0.720 Kg
-------------	--------------------------------

DOC No	CAS_DG_25MM
REVISION No	2
ISSUE DATE	17.7.2002