

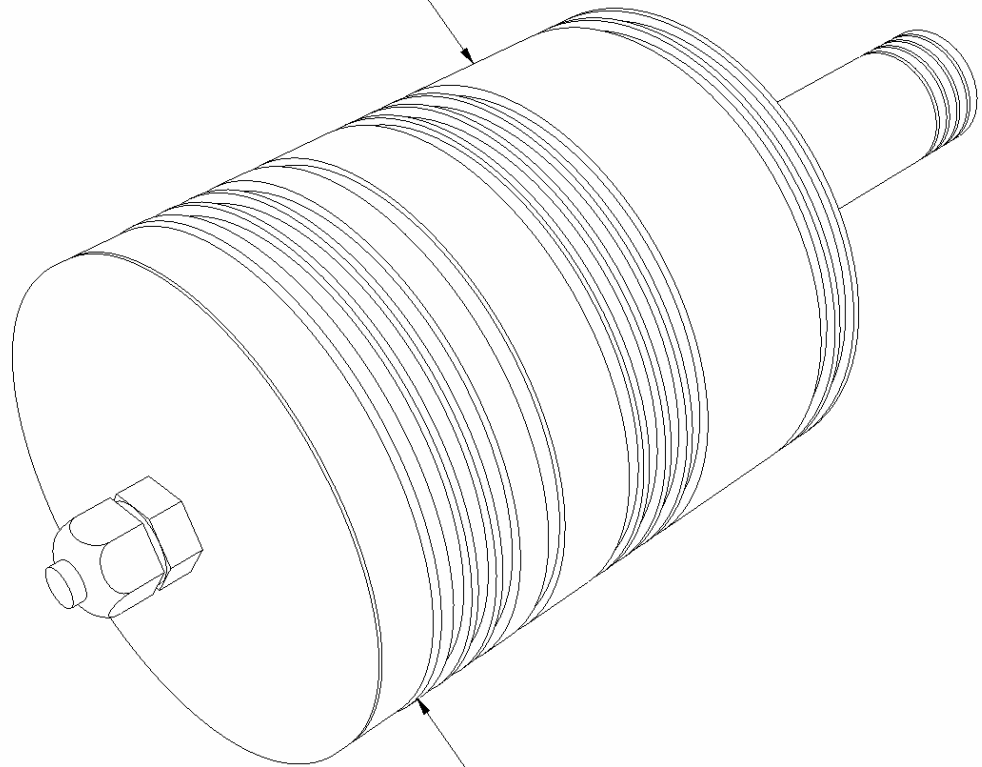
- ☑ Complete Reverse Pulse Cleaning Systems & Components for Dust Collectors
- ☑ Industrial Solenoid & Air Piloted Valves
- ☑ Pneumatics & Air Preparation Equipment
- ☑ Triboelectric & Opacity Emission Monitors
- ☑ Continuous & Portable Gas Analysers
- ☑ Water Quality Sensors & Analysers
- ☑ Electromagnetic & Mechanical Flowmeters
- ☑ UV Disinfection Systems

!! Attention !!

P2-45210 INSTALLATION NOTE

During installation (and removal) of the P2-45210 probe, the Installer must not hold the probe from the cable end when applying torque. Only hold from mounting end during application of torque. See figure below.

HOLD THIS END DURING ASSEMBLY



DO NOT HOLD THIS END DURING ASSEMBLY