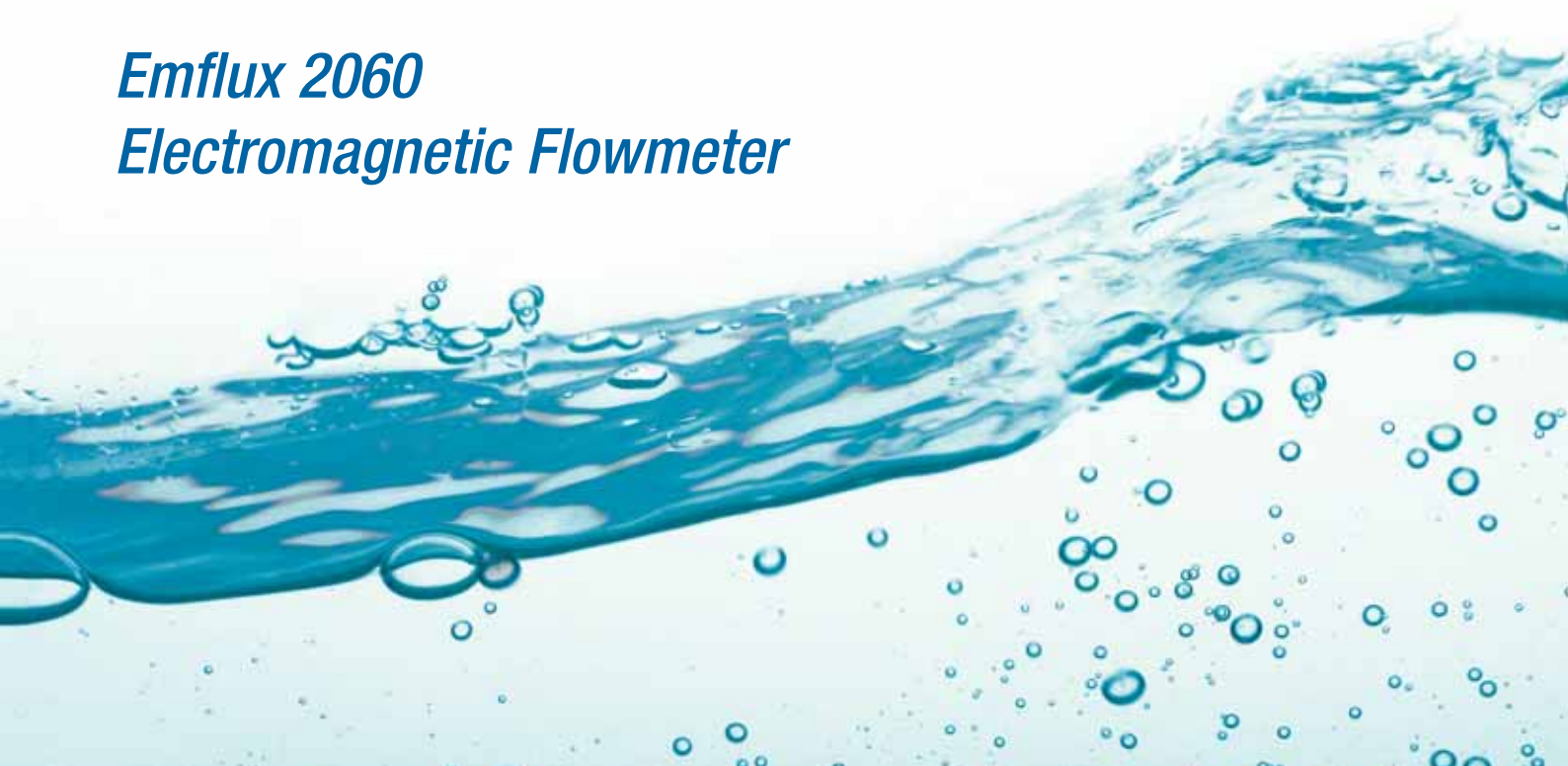




*Emflux 2060*  
*Electromagnetic Flowmeter*



The 2060 flow detectors offer the strength and durability of steel with a choice of chemical or abrasive resistant liners.

## Features

- The Emflux flow detector uses the well proven electromagnetic method of measurement, which applies Faraday's Law as the principle of operation.
- No moving parts
- High accuracy
- Wide operating range
- No obstruction to the flow
- Little to no pressure loss
- Liners to suit chemical or abrasive applications.
- A choice of electrodes to suit the process
- Variety of flange types available
- Robust construction
- Steel welded construction
- Submersible to 10 metres (5 feet) of water
- Suitable for buried service
- Minimal straight pipe installation requirements
- Remotely mounted electronics
- On powered sites used with the M300 transmitter which features multiple outputs and flexible programming
- On non-powered sites used with the I300 battery powered transmitter with solar recharge.

## General Applications

- Water production and distribution.
- Waste water monitoring and treatment.
- Irrigation flow measurement.
- Mining slurries.
- Effluent discharge.
- Pulp and paper applications.



**M300 Transmitter**  
(for powered sites)



**I300 Transmitter**  
(solar powered)

## Technical Data and Specifications

Accuracy	M300	I300
Display and Outputs	0.2% of rate or 1 mm/sec (0.04in/sec) whichever is greater	1% of rate or 2mm/sec (0.08in/sec) whichever is greater
Velocity Range:	0.01 to 10.0 m/sec (0.03 to 33 ft/sec)	<0.03 to >5.0 m/sec (<0.1 to >16.4 ft/sec)
Turndown from Full Scale:	>1000:1	>166:1
Pressure Effects:	Negligible effect	Negligible Effect
Repeatability:	< 0.05%	< 0.1%
Power Supply		
Variations:	Negligible	Negligible

Note: Under reference conditions

Specifications	
Sizes	50mm - 1000mm (2-40 inch) NB
Metering Tube	304 Stainless steel
Lining	Hard Ebonite Rubber, PTFE, Neoprene, Linatex, Polyurethane Specials available on request
Electrodes	316 S/S as standard, Hastelloy 'C' Tungsten tipped, Specials available on request
Earthing	Ground Electrodes Discs or contra flanges are available on request
Process Flange	AS2129
Connections	BS4504/DIN, ANSI, AS4087 Others available on request
Pressure Limits	Limited by flange rating
Temperature Limitations	Dependent on Liner selection, Hard Ebonite Rubber = 80°C (176°F), PTFE = 120°C (248°F)
Environmental Protection	IP68 to 10 metres (33 feet)
Housing	All steel welded case with two part epoxy coating

## Installation Requirements

### Detector

Mounts directly into the process pipeline and can be installed in horizontal, vertical or sloped pipelines. The preferred axis of the detector measuring electrodes is horizontal. *Note: For accurate flow measurement the flow detector must always be full.*

Recommended installation requirements are 5 diameters of straight pipe section upstream and 3 diameters downstream.

### Associated Flow Transmitter

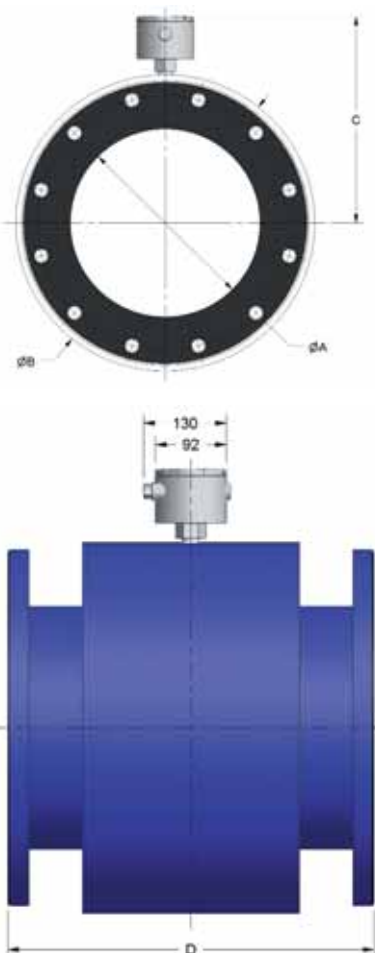
Can be located remotely from the detector. Model M300 up to 100 metres. Model I300 up to 30 metres.

## Dimensions

in mm and (inches)

Nominal Bore				Min Flow Range M300 & I300 l/sec (gallons/min)	Max Full Scale M300 l/sec (gallons/min)	Max Full Scale I300 l/sec (gallons/min)
ØA	B	C	D			
50 (2)	231 (9.09)	216 (8.50)	360 (14.17)	0-1 (0-16)	20 (317)	10 (158)
80 (3)	231 (9.09)	216 (8.50)	360 (14.17)	0-2.5 (0-39)	50 (792)	25 (396)
100 (4)	231 (9.09)	216 (8.50)	360 (14.17)	0-4 (0-63.4)	78 (1236)	40 (634)
150 (6)	316 (12.44)	258 (10.16)	429 (16.89)	0-8.8 (0-139)	176 (2789)	88 (1395)
200 (8)	373 (14.61)	287 (11.30)	429 (16.89)	0-15.7 (0-249)	314 (4977)	157 (2488)
225 (9)	400 (15.75)	300 (11.81)	429 (16.89)	0-20 (0-317)	397 (6293)	200 (3170)
250 (10)	421 (15.57)	311 (12.24)	429 (16.89)	0-25 (0-396)	490 (7767)	245 (3883)
300 (12)	479 (18.86)	340 (13.39)	471 (18.54)	0-35 (0-555)	707 (11206)	353 (5595)
350 (14)	582 (22.91)	391 (15.39)	543 (21.38)	0-49 (0-777)	962 (15248)	481 (7624)
375 (15)	607 (23.90)	417 (16.42)	582 (22.91)	0-56 (0-888)	1104 (17499)	552 (8749)
400 (16)	634 (24.96)	417 (16.42)	582 (22.91)	0-63 (0-999)	1256 (19909)	628 (9954)
450 (18)	685 (26.97)	443 (17.44)	607 (23.90)	0-80 (0-1268)	1590 (25202)	795 (12601)
500 (20)	736 (28.98)	468 (18.43)	683 (26.89)	0-100 (0-1585)	1963 (31114)	982 (15565)
600 (24)	838 (32.99)	520 (20.47)	785 (30.91)	0-141 (0-2235)	2827 (44808)	1414 (22412)
700 (28)	940 (37.01)	570 (22.44)	937 (36.89)	0-193 (0-3059)	3848 (60992)	
800 (32)	1040 (40.94)	620 (24.41)	1050 (41.34)	0-251 (0-3978)	5026 (79664)	
900 (36)	1140 (44.82)	670 (26.38)	1180 (46.46)	0-318 (0-5040)	6362 (100840)	
1000 (40)	1245 (49.02)	723 (28.47)	1310 (51.57)	0-393 (0-6229)	7854 (124488)	

Note: Dimensions are nominal to ± 1mm.  
For other liner materials, consult the factory  
Dimension D is based on Standard Hard Ebonite Rubber Lining.  
gallons = US gallons.



### Typical specifying sequence

Example	EM2060	080	D1	1	S	X	S	F
EM = M300 or IR = I300								
<b>Size (mm)</b>		50						
		80						
		100						
		150 to 1K0						
<b>Flanged</b>								
AD = AS2129 Table D								
AE = AS2129 Table E								
B1 = BS4504-10								
B2 = BS4504-16								
B3 = BS4504-25								
C1 = ANSI 150								
C2 = ANSI 300								
D1 = AS4087-16								
D2 = AS4087-21								
D3 = AS4087-35								
<b>Lining Material</b>								
1 = Hard Ebonite Rubber								
2 = PTFE								
3 = Neoprene								
4 = Linatex								
5 = Polyurethane								
<b>Electrodes</b>								
S = 316SS								
H = Hastelloy 'C'								
T = Tungsten Tipped								
<b>Earthing</b>								
X = None								
S = 316SS								
H = Hastelloy 'C'								
T = Tungsten Tipped								
D = 304SS Discs								
<b>Pipe Not Full</b>								
X = None								
S = 316SS								
H = Hastelloy 'C'								
T = Tungsten Tipped								
<b>Potting</b>								
X = No Potting								
F = Potting (Cable must be ordered separately)								



#### **Australia**

Head Office  
Goyen Controls Co Pty Ltd  
268 Milperra Road  
Milperra, NSW 2214

Telephone: 1800 805 372  
Facsimile: 1300 658 799

Sales and Service  
Queensland, South Australia  
Victoria, Western Australia

Telephone: 1800 805 372  
Facsimile: 1300 658 799

#### **USA**

Goyen Valve Corporation  
1195 Airport Road  
Lakewood  
New Jersey 08701, USA

Telephone: 1 732 364 7800  
Facsimile: 1 732 364 1356

#### **Asia**

Goyen Controls Co Pty Ltd  
Shanghai Representative Office  
1209 Greenland Business Centre  
1258 Yu Yuan Road  
Shanghai PC200050, CHINA

Telephone: 86 21 5239 8810  
Facsimile: 86 21 5239 8812

Goyen Controls Co Pty Ltd  
73-M Jalan Mega Mendung  
Kompleks Bandar OUG  
58200 Kuala Lumpur, MALAYSIA

Telephone: 60 37 987 6839  
Facsimile: 60 37 987 7839

Greenspan Singapore Pte Ltd  
02-01, Minwa Industrial Building  
39 Genting Lane  
Singapore 349554

Telephone: 65 6748 0140  
Facsimile: 65 6748 2534

#### **Europe**

Goyen Controls Co UK Ltd  
Unit 3B Beechwood  
Chineham Business Park  
Basingstoke, Hampshire, RG24 8WA  
UNITED KINGDOM

Telephone: 44 1256 817 800  
Facsimile: 44 1256 843 164

Tyco Umwelttechnik GmbH  
Im Petersfeld 6  
D-65624 Altendiez  
GERMANY

Telephone: 49 6432 1001/1002  
Facsimile: 49 6432 63810

Mecair S.r.l.  
Via per Cinisello 97  
20054 Nova Milanese  
Milano,  
ITALY

Telephone: 39 362 375 118  
Facsimile: 39 362 375 124