

Technical Specification

**Venturis**



5" Venturi



6" Venturi

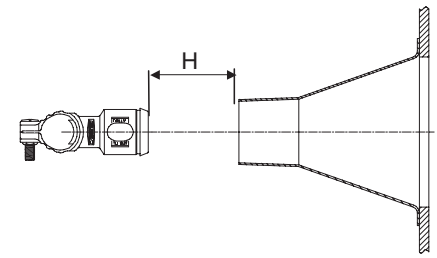
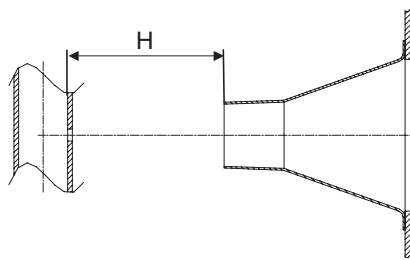
**Description**

Goyen's range of venturis is ideal for difficult filter cleaning applications where maximum developed over-pressure in the filter with limited air supply are critical issues. These products are designed to be installed above the filter ensuring that the full length of the filter is cleaned and therefore available for the dust collection process. The venturis are available in tall and short formats. Venturis come standard in spun aluminium. Stainless steel is available on request.

**Suitable for**

5" and 6" diameter bag filters in most reverse pulse jet dust collector installations.

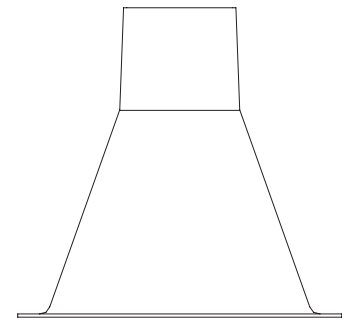
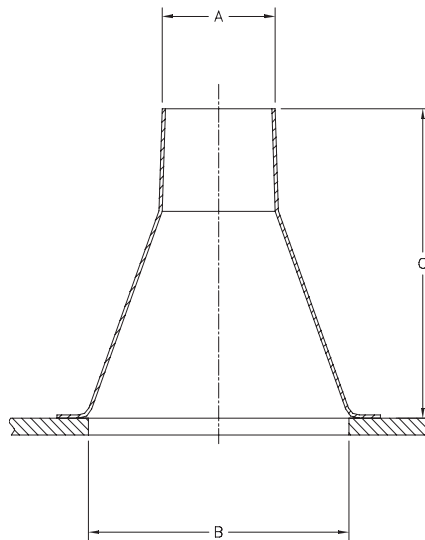
**Installation**



**Dimensions**

(Dimensions in mm and [inches])

Model	Setup Height 'H'	
	No Nozzle mm (inches)	GOCO Nozzle mm inches
VC-5	100 (3.93)	70 (2.75)
VC-6	160 (6.29)	15 (0.53)



**Order Code and Characteristics**

Order Code	Suit Filter (B) mm (inches)	Height (C) mm (inches)	Orifice Size (A) mm (inches)	Material	Temperature Rating °C °(F)	Mass Kg (lbs)
VC-5-S	125 (5)	153 (6.02)	55 (2.17)	Spun Al 1200	-40 (-40) to 400 (752)	0.15 (0.33)
VC-5-L	125 (5)	251 (9.88)	55 (2.17)	Spun Al 1200	-40 (-40) to 400 (752)	0.24 (0.53)
VC-6-S	150 (6)	190 (7.48)	75 (2.95)	Spun Al 1200	-40 (-40) to 400 (752)	0.18 (0.39)
VC-6-L	150 (6)	295 (11.61)	75 (2.95)	Spun Al 1200	-40 (-40) to 400 (752)	0.32 (0.69)