

Technical Specification
Q Series Solenoid

Solenoid used in the remote or integral actuation of dust collector diaphragm or pilot valves.



Flying leads, QF



Screws/spade terminals, QT2



DIN 43650A connection, QR



Conduit entry connection, QD

Suitable for

All integrally piloted Goyen dust collector diaphragm valves, RCA3D series pilot valves and pilot valve enclosures, and 3DS pilot valves.

Installation

Slide solenoid over ferrule tube. Ensure terminals are on top. For QT and QF type solenoids ensure nylon washer is in place. Slide clip onto pilot iron top. Ensure voltage supplied to solenoid is within -10% and +15% of the solenoid rated voltage.

Construction

- Encapsulation: PA-6
- C-frame: Mild steel zinc passivated
- Bobbin: PA-6
- Insulation class: B/130°C
- Rating: Non-continuous use only
- Clip: Mild steel (mechanically plated)

Operation

- Recommended on time range: 50-500ms
- Recommended time between pulses: 1 minute or greater

Approvals

- C-Tick
- EMC (89/336/CE)

Options

None

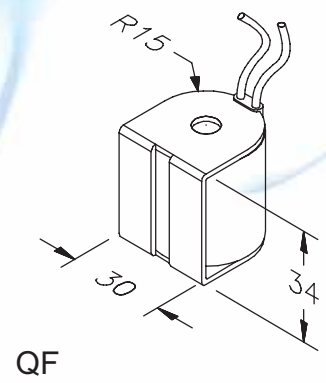
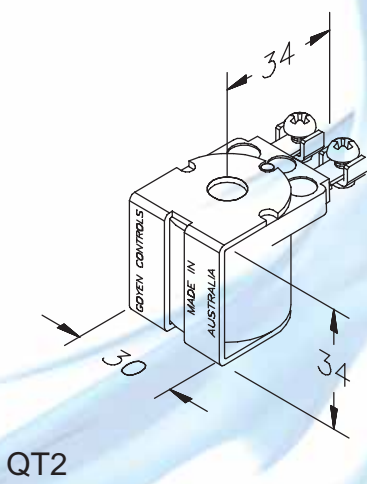
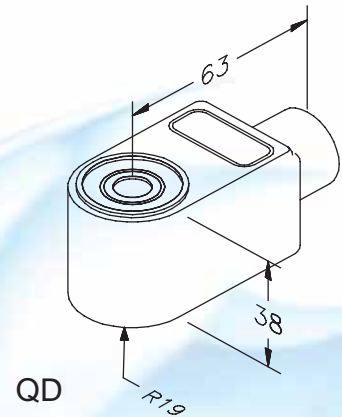
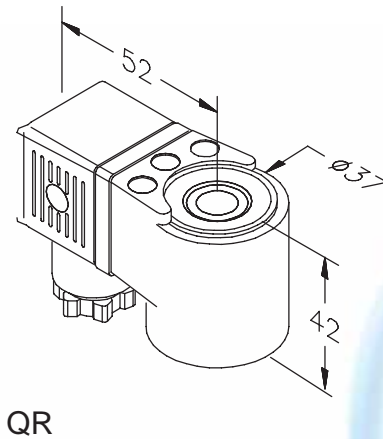
Spare Parts

None available

Dimensions and Weights

(Dimensions in mm)

Series	Weight
QR	0.146 kg/0.322 lb
QD	0.210 kg/0.463 lb
QT2	0.106 kg/0.234 lb
QF	0.098 kg/0.216 lb



Order Code and Electrical Characteristics

Code K-	Type	Connection Type	Class	Voltage	Inrush mA	Hold mA	Power	Colour
300	QR	DIN 43650A	IP64	200/240V 50/60Hz	148/143	105/94	23.1 VA	Grey
301	QR	DIN 43650A	IP64	100/120V 50/60Hz	234/255	180/152	19.8 VA	Grey
302	QR	DIN 43650A	IP64	24V 50/60 Hz	1338/1096	963/716	23.1 VA	Grey
303	QR	DIN 43650A	IP64	110VDC	212	212	24 W	Grey
304	QR	DIN 43650A	IP64	48VDC	429	429	20 W	Grey
305	QR	DIN 43650A	IP64	24VDC	873	873	20 W	Grey
306	QR	DIN 43650A	IP64	12VDC	1644	1644	20 W	Grey
310	QD	Conduit (M20x1.5)	IP31	200/240V 50/60Hz	148/143	105/94	23.1 VA	Green
311	QD	Conduit (M20x1.5)	IP31	100/120V 50/60Hz	234/255	180/152	19.8 VA	Green
312	QD	Conduit (M20x1.5)	IP31	24V 50/60 Hz	1338/1096	963/716	23.1 VA	Green
313	QD	Conduit (M20x1.5)	IP31	24VDC	873	873	20 W	Green
314	QD	Conduit (M20x1.5)	IP31	12VDC	1644	1644	20 W	Green
320	QD	Conduit (½" NPSC)	IP31	200/240V 50/60Hz	148/143	105/94	23.1 VA	Green
321	QD	Conduit (½" NPSC)	IP31	100/120V 50/60Hz	234/255	180/152	19.8 VA	Green
322	QD	Conduit (½" NPSC)	IP31	24V 50/60 Hz	1338/1096	963/716	23.1 VA	Green
323	QD	Conduit (½" NPSC)	IP31	24VDC	873	873	20 W	Green
324	QD	Conduit (½" NPSC)	IP31	12VDC	1644	1644	20 W	Green
330	QT2	Screw / spade	N/A	200/240V 50/60Hz	148/143	105/94	23.1 VA	Purple
331	QT2	Screw / spade	N/A	100/120V 50/60Hz	234/255	180/152	19.8 VA	Purple
332	QT2	Screw / spade	N/A	24V 50/60 Hz	1338/1096	963/716	23.1 VA	Purple
333	QT2	Screw / spade	N/A	240VDC	94	94	24 W	Purple
334	QT2	Screw / spade	N/A	110VDC	212	212	24 W	Purple
335	QT2	Screw / spade	N/A	48VDC	429	429	20 W	Purple
336	QT2	Screw / spade	N/A	24VDC	873	873	20 W	Purple
337	QT2	Screw / spade	N/A	12VDC	1644	1644	20 W	Purple
338	QT2	Screw / spade	N/A	12VDC	2500	2500	30 W	Orange
340	QF	Flying leads	IP64	200/240V 50/60Hz	1338/1096	963/716	23.1 VA	Purple
341	QF	Flying leads	IP64	100/120V 50/60Hz	94	94	19.8 VA	Purple
342	QF	Flying leads	IP64	24V 50/60 Hz	212	212	23.1 VA	Purple
343	QF	Flying leads	IP64	24VDC	873	873	20 W	Purple
344	QF	Flying leads	IP64	12VDC	1644	1644	20 W	Purple
348	QF	Flying leads	IP64	12VDC	2500	2500	30 W	Orange
349	QF	Flying leads	IP64	36V 50Hz	555	350	15.6 VA	Purple