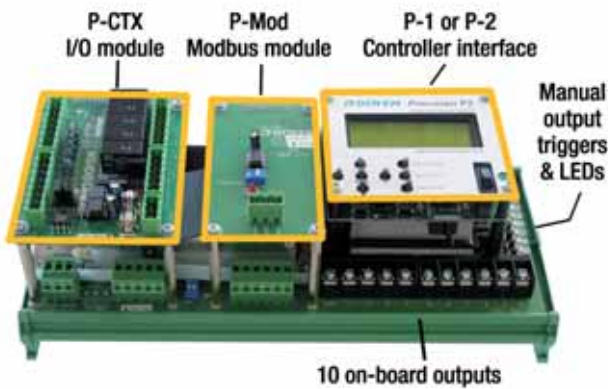




Precision
Total Dust Collector Control Systems

The Goyen Precision series dust collector cleaning systems controller has a unique modular format that allows a simple Sequential Mode controller to be easily upgraded to Enhanced Differential Pressure Mode control, analog and digital I/O, and full SCADA and DCS integration.

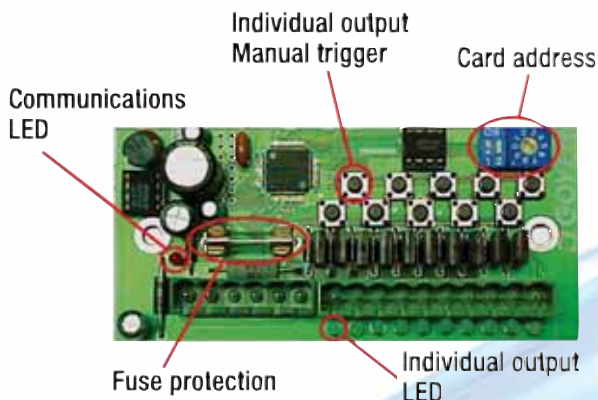
Goyen's Precision controller grows with the demands of yours and your customer's business.



P-2DC-CTX-MOD

Product Description

This new generation cleaning system controller is presented as an easily configurable master plus expansion card platform. The master controller has 10 on-board outputs, which may be expanded to 200 outputs total through the connection of up to nineteen 10 output expansion cards. All outputs feature individual push-button manual triggers and LED lights. The expansion cards are available with compact push-in terminals or large screw-terminal types.



Compact format expansion card, PS-C

Useful Interface Options

Two user interface modules are available. These are easily interchanged without the need for a licensed electrician, simply by disconnecting one interface and connecting the new interface. (Remove AC power when applicable.)

P-1

The Continuous Mode interface gives dependable and familiar reverse pulse cleaning control on a timed basis. The electrical on time ranges from 30 to 500ms, with a pause between pulses of 1 to 999 seconds.



P-2

The Enhanced Demand Mode interface provides easy cleaning systems control flexibility.



Apart from supporting the features of the P-1, the P-2 interface provides:

- Demand cleaning on the basis of high and low pressure limits.
- Demand cleaning on the basis of a high point and a selectable % pressure drop.

- Selection of displayed pressure units (kPa, Pa, mm H₂O, inches H₂O, mm Hg).
- Minimum pulse rates while in demand mode.
- A selection of pre-programmed cleaning patterns to minimise dust re-entrainment, while eliminating spaghetti wiring.
- Configurable filter pre-coating settings.
- Blowdown cycles on automatic basis or hardwired to the fan circuit.
- A tube cleaner can be optionally specified to ensure pressure lines to the integrated pressure transducer remain clear within dusty environments.

Both interfaces provide:

- A clear back-lit LCD display, viewable from a wide range of angles.
- Audible button press confirmation.
- 5 languages; English, German, Italian, French, Spanish.
- Power out memory retention.
- Scrolling display during operation showing all parameter settings.

- Automatic detection of connected slaves, solenoids, and communications modules on start-up.
- Hour and cycle counts.
- Factory defaults restore.

Alarms

Alarms include:

- Open circuit and closed circuit solenoid failure detection and identification
- Service alarms at 100K, 500K and 950K cycles
- Watchdog alarm
- Insufficient power
- Circuit over temperature
- High dP alarm
- Auxiliary alarm
- Low tank pressure (when connected to a pressure transmitter).

An alarm delay of up to 255 seconds can be applied, and the alarm may be reset either at the controller interface or remotely via the P-CTX or P-MOD communications cards.

MODBUS Interconnect Module

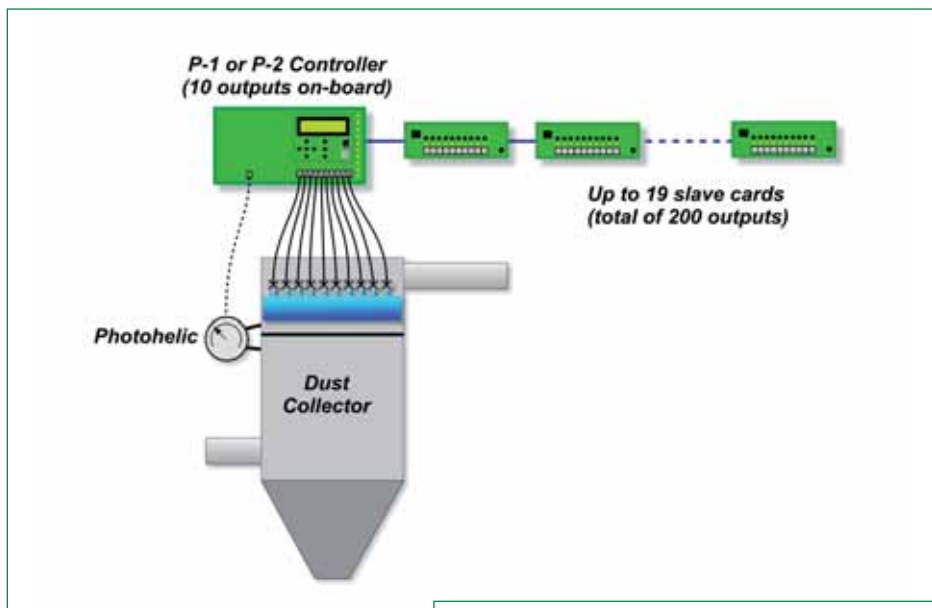
Protocol – MODBUS two wire RS485 half duplex

Comms rate – 9600 baud, 1 stop bit, 8 data bits, no parity

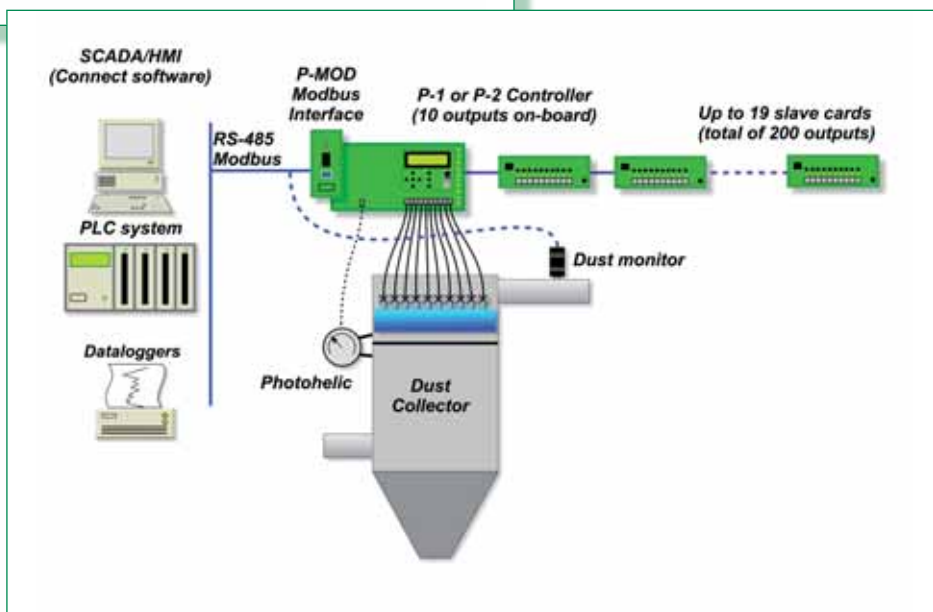
Terminating resistor – DIP switch selectable terminating resistor if the Master is on the end of a MODBUS network.

Read only data	Write only data	Read/write data	
Instantaneous dP	Restore factory defaults	Language	Blowdown mode
Cycling status	Hour counter reset	Electrical on-time	Tube cleaner off/on
Power status	Reset cycles	Electrical off-time	Tube cleaner on time
Watchdog alarm	Reset service alarm	Pressure units	Tube cleaner off time
Coil failure	Reset general alarm	Demand cleaning mode	Enhanced Demand Mode
Service alarm		High dP limit	Hour counter value
Low header pressure alarm		Low dP limit	Number of expansion cards
Auxiliary alarm		DP range	Number of outputs on expansion cards
		Alarm delay	Cycle count
		High dP alarm	Skip outputs (0-10)
		Filter pre-coating mode	Activate output address ##-##
		Pattern cleaning mode	Run
		Number of blowdown cycles	Stop
		Automatic blowdown cycle setting	

Basic Configuration



I/O Configuration



Communications

The Precision controller in either P1 or P2 configuration may be expanded with an I/O card (P-CTX) or a two wire half-duplex RS485 card programmed with the Modbus protocol (P-MOD).

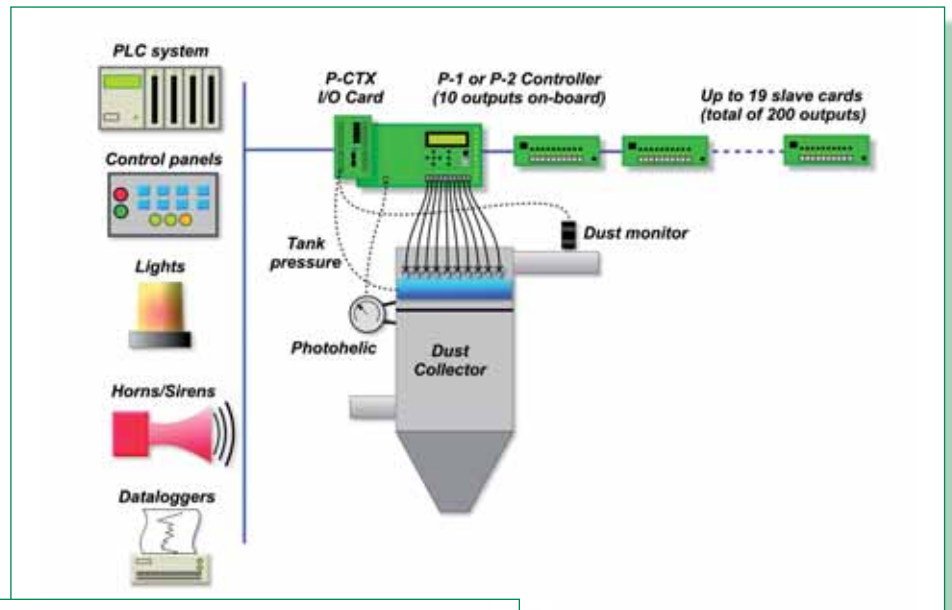
P-CTX allows control of the Precision controller from devices such as programmable logic controllers and remote control panels. P-CTX also provides a 4-20 mA output to allow remote monitoring or logging of the instantaneous system differential pressure. An auxiliary input allows the connection and monitoring of additional diagnostic sensors such as hopper levels.

P-MOD allows full integration of Precision into SCADA/HMI systems. With each output individually addressable and all controller events accessible, total DCS integration with particulate, gas monitoring devices and process controls is possible. Goyen's own Connect 5 SCADA/HMI package is recommended.

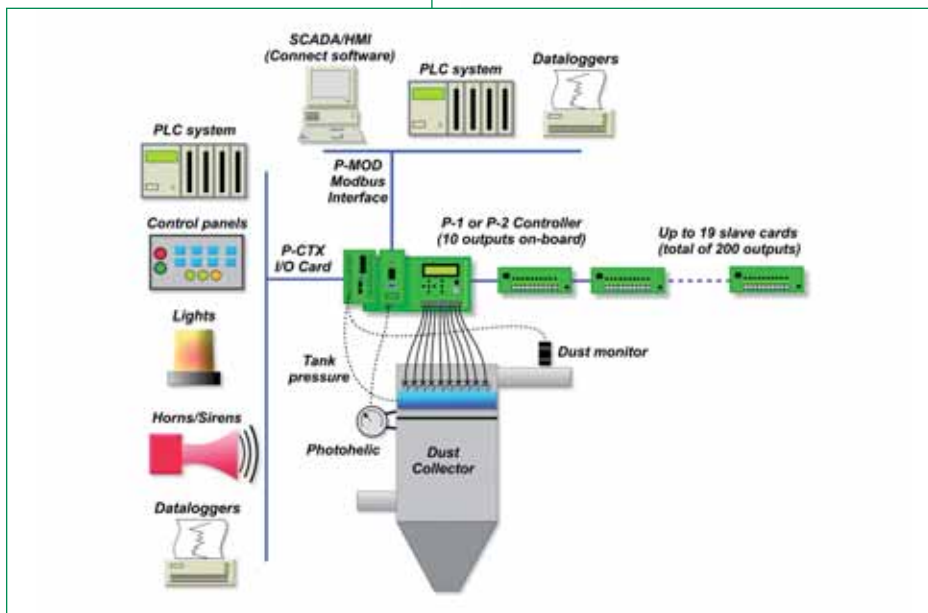
Enclosure Choices

The Precision controller is available as either standard DIN-mounted boards or for incorporation into your own control cabinets, in painted steel IP65 enclosures, or stainless steel IP65 enclosures.

Distributed Control Configuration



Distributed Control and I/O Configuration



Electrical Specification

Supply power (input)/Terminal output voltage (output)

For AC in DC out boards (with maximum load):

Input: 110-240 VAC 50/60Hz \pm 10%, fuse protected to 260 VAC

Output: 24 VDC at 60W (2.5A) for master and expansion cards.

For AC in AC out boards (with maximum load):

Input: 100-130 VAC and 210-260 VAC 50/60Hz, fuse protected to 260 VAC

Output: Max rating at 120 VAC + 10%, 310W (2.36A),
Max rating at 240 VAC + 10%, 350W (1.34A).

For DC in DC out boards (with maximum load):

Input: 24-48 VDC \pm 10%, fuse protected transient suppression to 60 VDC spikes

Output: 24 VDC at 60W (2.5A) for master and expansion cards.

Mechanical/Environmental Specification

Enclosure type (optional) – Painted steel or stainless steel

Operating/Storage temperature range – 0-70°C (32-158°F)

Vibration – Reliable operation up to 55 Hz, 1.5mm double amplitude

Mechanical shock – Shock up to 100 m/s²

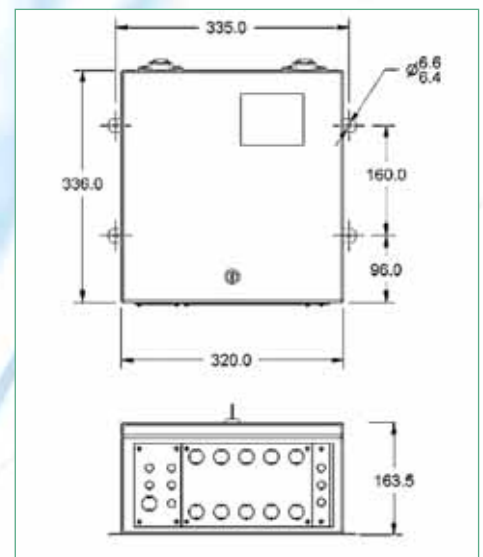
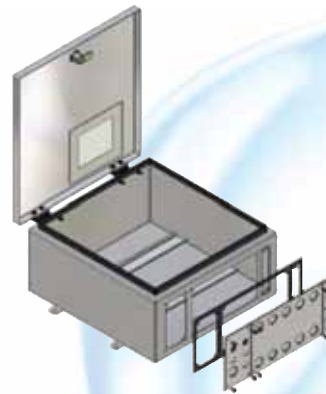
Product Specification

Master and Expansion Cards

Interface	Precision	
	P-1	P-2
2 line back-lit LCD display	✓	
4 line back-lit LCD display		✓
Tactile input buttons	✓	✓
Individual output LEDs	✓	✓
Manual output trigger for each terminal (100ms duration) [for AC/DC, DC/DC only]	✓	✓
Manual cleaning cycle trigger		✓
Scrolling display showing system settings during operation	✓	✓
English, German, Italian, Spanish, French language support	✓	✓
Pressure units (kPa, Pa, inWG, mmWG, mmHG)		✓
Menu lockout (security code)	✓	✓
Slave Communications LED	✓	✓
Power LED & power switch	✓	✓
Start-up		
Automatic detect connected terminals	✓	✓
Automatic detect connected expansion cards	✓	✓
System self diagnostic on start up	✓	✓
Automatic power supply detection	✓	✓
12 month memory retention without power	✓	✓
Factory defaults reset	✓	✓
Operation		
Hour count	✓	✓
Cycle count with service alarms	✓	✓
Electrical on-time selection (30ms to 500ms)	✓	✓
Electrical off time selection (1s to 999s)	✓	✓
Fan Contact Blowdown Cycles	✓	✓
Automatic Blowdown Cycles		✓
Sequential Mode Cleaning	✓	✓
Demand Mode Cleaning (set high and low dP limits)		✓
Demand Mode Cleaning (set high limit and dP range)		✓
Enhanced Demand Mode Cleaning (minimum pulse rate)		✓
Pre-programmed Pattern Mode Cleaning		✓
Filter precoating function		✓
Terminals and contacts		
10 x AC/DC solenoid outputs on Master suits wires from 12-22 AWG (0.5 to 2.5 mm ²)	✓	✓
Fan contacts	✓	✓
Auxiliary pressure gauge contacts	✓	✓
Auxiliary alarm contact (example to siren or light)		✓
Tube cleaner contacts	✓	✓

Expansion cards	Precision	
	P-1	P-2
2 wire, half duplex RS485 Master/ Slave communication	✓	✓
Up to 19 expansion cards connected	✓	✓
Large format expansion card support	✓	✓
Compact format expansion card support	✓	✓
Alarms		
Alarms		
Coil failure (open circuit)		✓
Coil failure (closed circuit)		✓
Service alarm (100K, 500K, 950K cycles)	✓	✓
Watchdog alarm	✓	✓
Insufficient power pre-warning	✓	✓
Low tank pressure (when connected to pressure transducer)		With PLC Interconnect
High dP alarm		✓
Auxiliary alarm		With PLC Interconnect
Alarm delay (0 to 255s)		✓

Standard Enclosure Details (dimensions in mm)



I/O Module (P-CTX)

Digital In

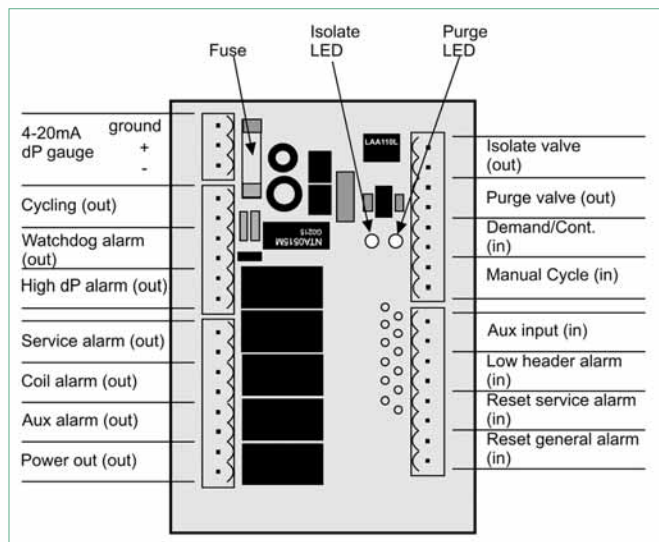
Demand/Continuous mode contact	Allows remote switching between demand and sequential cleaning modes when Combined with Precision P-2
Auxiliary contact	Allows monitoring of other devices in the installation, for example tribo-electric probes
Manual cycle contact	Allows remote activation of the manual cleaning cycle feature
Low header pressure contact	Allows the installation of a low pressure switch on the cleaning system pressure vessel
Service alarm reset contact	Allows remote resetting of the service alarm
General alarm reset contact	Allows remote resetting of coil failure, low header pressure, high dP, and auxiliary alarms

Digital Out

Tube cleaner contact	Allows the installation of Goyen's tube cleaning device. Useful to clear lines running to remote pressure switches or dP gauges mounted to the dust collector.
Power contacts	Allows remote monitoring of the power status of the controller.
Cycling contacts	Allows remote monitoring of the controller status with regards to cycling or paused.
Watchdog contacts	Allows remote monitoring of the pulse controller's heartbeat.
Coil failure alarm contacts	Allows remote notification that a coil failure has occurred.
Service alarm contact	Allows remote monitoring of service alarm condition.
High dP alarm contact	Allows remote monitoring of a high dP alarm condition.

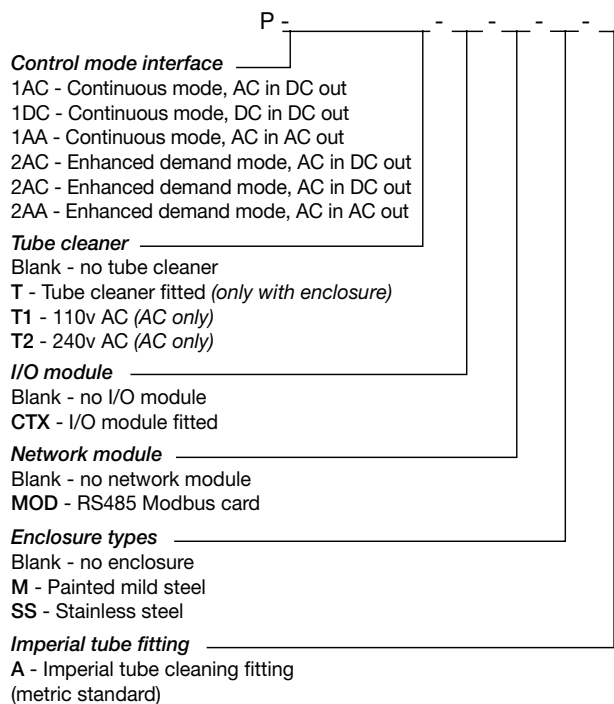
Analogue Out

4 - 20 mA Instantaneous dP contacts	Allows remote monitoring of the instantaneous dP of the system. These are powered contacts.
-------------------------------------	---



P-CTX Terminal Layout

How to Order



Examples

- P-1AC: Continuous master, suitable for 100 to 240VAC input power, without enclosure.
- P-2DCT-CTX-SS: 24 to 48 VDC input power demand master, with tube cleaner and I/O card in a stainless steel enclosure.

Interfaces, communications cards, and expansion cards may be separately ordered as:

- PS-L: Large 10 station expansion card - DC output
- PS-LA: Large 10 station expansion card - AC output (use with AA interface only)
- PS-C: Compact 10 station expansion card - DC output
- PS-CA: Compact 10 station expansion card - AC output (use with AA interface only)
- P-MOD: Modbus RS485 communications card
- P-CTX: Digital/Analog I/O card
- P-1: Continuous Mode interface only
- P-2: Enhanced Demand Mode interface only (for in-field upgrades)



Australia

Head Office
Goyen Controls Co Pty Ltd
268 Milperra Road
Milperra, NSW 2214

Telephone: 1800 805 372
Facsimile: 1300 658 799

Queensland
Telephone: 1800 805 372
Facsimile: 1300 658 799

Victoria
Telephone: 1800 805 372
Facsimile: 1300 658 799

South Australia
Telephone: 1800 805 372
Facsimile: 1300 658 799

Western Australia
Telephone: 1800 805 372
Facsimile: 1300 658 799

Asia

Goyen Controls Co Pty Ltd
Shanghai Representative Office
1209 Greenland Business Centre
1258 Yu Yuan Road
Shanghai PC200050
CHINA

Telephone: 86 21 5239 8810
Facsimile: 86 21 5239 8812

Goyen Controls Co Pty Ltd
73-M Jalan Mega Mendung
Kompleks Bandar OUG
58200 Kuala Lumpur MALAYSIA

Telephone: 60 37 987 6839
Facsimile: 60 37 987 7839

Office: Singapore
Tel/Facsimile: 65 6457 4549

USA

Goyen Valve Corporation
1195 Airport Road
Lakewood
New Jersey 08701
USA

Telephone: 1 732 364 7800
Facsimile: 1 732 364 1356

Europe

Goyen Controls Co UK Ltd
Unit 3B Beechwood
Chineham Business Park
Basingstoke, Hampshire, RG24 8WA
UNITED KINGDOM

Telephone: 44 1256 817 800
Facsimile: 44 1256 843 164

Tyco Umwelttechnik GmbH
Im Petersfeld 6
D-65624 Altendiez
GERMANY

Telephone: 49 6432 1001/1002
Facsimile: 49 6432 63810

Mecair S.r.l.
Via per Cinisello 97
20054 Nova Milanese
Milano,
ITALY

Telephone: 39 362 375 118
Facsimile: 39 362 375 124