

Technical Specification

GOCO Nozzle Screw In (3/4" and 1" Pipe)

Description

Goyen's range of plastic screw in nozzles measurably increase developed pressures in filters during reverse pulse cleaning by balancing the flow through all holes along the blowtube, ensuring that the pulse jet is directed fully into the filters, and minimising the pressure drop through the blowtube holes.

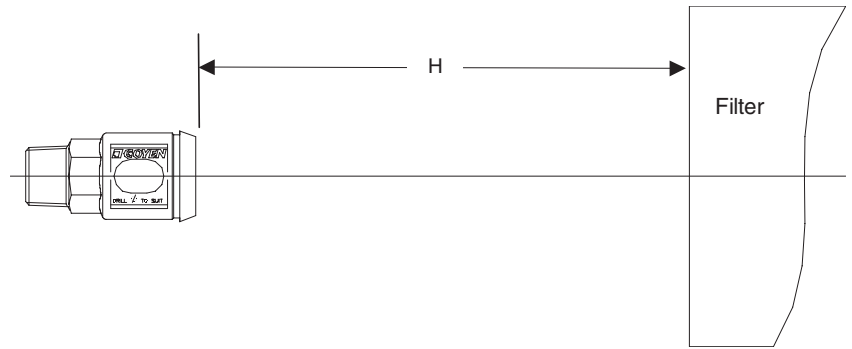
Goyen's nozzles ensure effective cleaning is achieved at An/Ap (total blowtube hole area/blowtube cross-sectional area) values up to 1.5, extracting maximum pulse performance from the diaphragm valves. Systems not using the Goco nozzle perform at 0.5 to 0.8. Suitable for 3/4" and 1" pipe diameters in reverse pulse jet filter cleaning applications and its variations including bag filters and cartridge filters. Plastic nozzles are not suitable for high ambient temperature applications above 80°C (176°F). These nozzles are designed to be screwed directly into the threaded outlet of a 'T' series dust collector valve, or into threaded sockets welded to blowtubes.

Suitable for

3/4" and 1" pipe diameters in reverse pulse jet filter cleaning applications and its variations including bag filters and cartridge filters. Plastic nozzles are not suitable for high ambient temperature applications above 80°C (176°F). These nozzles are designed to be screwed directly into the threaded outlet of a 'T' series dust collector valve, or into threaded sockets welded to blowtubes.

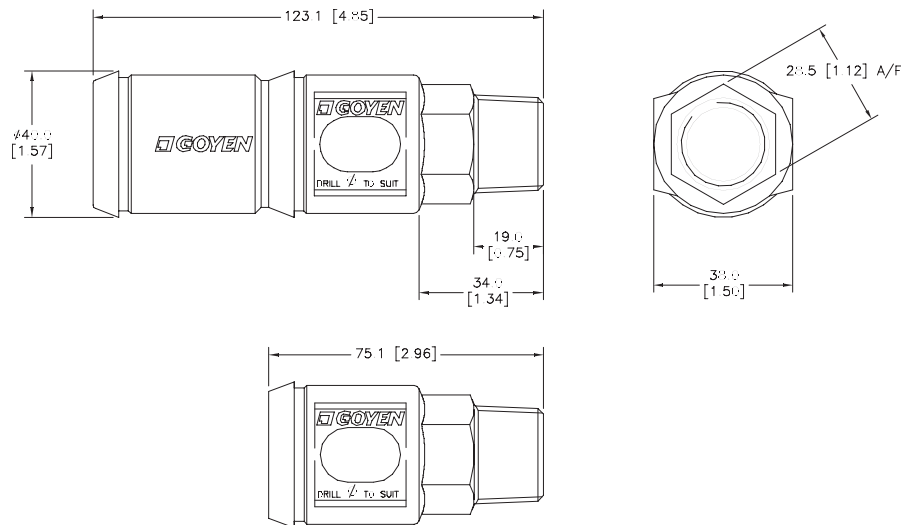
Installation

For best performance, $H = (\text{Ø Filter} - 48) / 0.353$ (mm) or $H = (\text{Ø Filter} - 1.88) / 0.353$ (inches). Nozzles must be drilled to appropriate orifice size before installation.



Dimensions

(Dimensions in mm and [inches])



Order Code and Characteristics

Order Code	Connection Size mm (inches)	Thread Type	Barrel Length mm (inches)	Unit Mass Kg (lbs)	Material	Temperature Rating °C (°F)
VN20SPN-50	20 (3/4)	NPT	56 (2.2)	0.040 (0.09)	PA-6	-40(-40) a 80 (176)
VN20SPR-50	20 (3/4)	R	56 (2.2)	0.040 (0.09)	PA-6	-40(-40) a 80 (176)
VN20SPN-100	20 (3/4)	NPT	104 (4.1)	0.065 (0.14)	PA-6	-40(-40) a 80 (176)
VN20SPR-100	20 (3/4)	R	104 (4.1)	0.065 (0.14)	PA-6	-40(-40) a 80 (176)
VN25SPN-50	25 (1)	NPT	56 (2.2)	0.040 (0.09)	PA-6	-40(-40) a 80 (176)
VN25SPR-50	25 (1)	R	56 (2.2)	0.040 (0.09)	PA-6	-40(-40) a 80 (176)
VN25SPN-100	25 (1)	NPT	104 (4.1)	0.065 (0.14)	PA-6	-40(-40) a 80 (176)
VN25SPR-100	25 (1)	R	104 (4.1)	0.065 (0.14)	PA-6	-40(-40) a 80 (176)

Nozzle sizes can be optimised using Goyen's GOCO software. Contact your local Goyen representative.