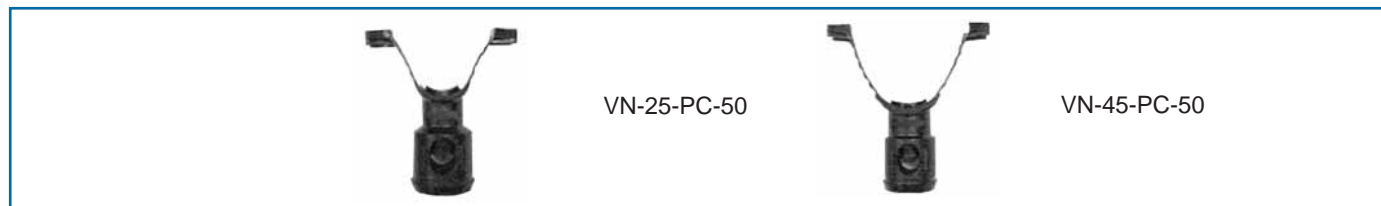


Technical Specification **GOCO Nozzle PLC (1" and 1.5" Pipe)**



Description

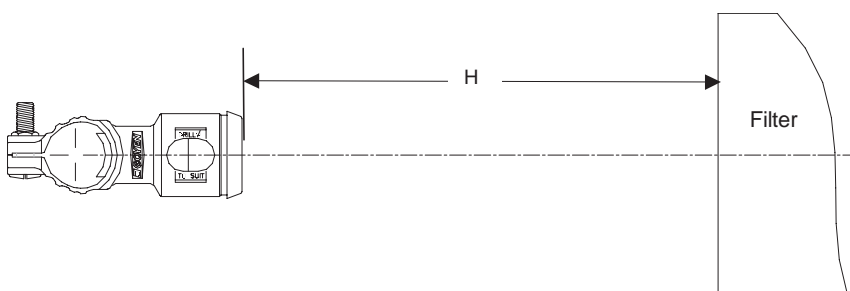
Goyen's range of plastic nozzles measurably increase developed pressures in filters during reverse pulse cleaning by balancing the flow through all holes along the blowtube, ensuring that the pulse jet is directed fully into the filters, and minimising the pressure drop through the blowtube holes. Goyen's nozzles ensure effective cleaning is achieved at A_n/A_p (total blowtube hole area/ blowtube cross-sectional area) values up to 1.5, extracting maximum pulse performance from the diaphragm valves. Typical systems not using the Goco nozzle perform at 0.5 to 0.8.

Suitable for

1" and 1.5" pipe diameters in reverse pulse jet filter cleaning applications and its variations including bag filters and cartridge filters. Plastic nozzles are not suitable for high ambient temperature applications above 80°C (176°F).

Installation

For best performance, $H = (\text{Ø Filter} - 48) / 0.353$ (mm) or $H = (\text{Ø Filter} - 1.88) / 0.353$ (inches). Prepare Ø22mm (Ø0.866") hole in the blowtube for VN-20PC-50 and Prepare Ø26mm (Ø1.023") hole in the blowtube for VN-25PC-50.

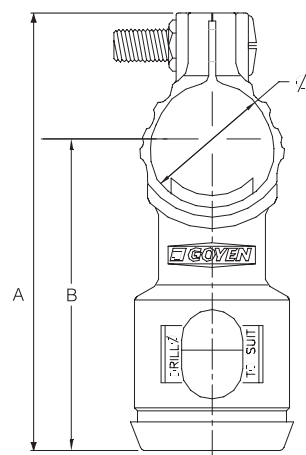
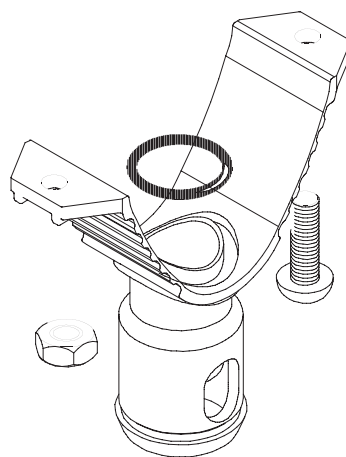


Dimensions

(Dimensions in mm and [inches])

Model	A	B	Ø
VN25PC-50	110 mm [4.33"]	76mm [3.00"]	33mm [1.32"]
VN45PC-50	126 mm [4.97"]	84 mm [3.29"]	48mm [1.90"]

Nozzles must be drilled to required orifice size before installation. Ensure o-ring is in place when fitting nozzle to pipe.



Order Code and Characteristics

Order Code	VN-25-PC-50	VN-45-PC-50
Order Code	VN-25-PC-50	VN-45-PC-50
Suitable for pipe Ø	1" (Schedule 40)	1.5" (Schedule 40)
Nominal pipe external Ømm (inches)	33 (1.32)	48 (1.90)
Temperature range °C (°F)	-40 (-40) to 80 (176)	-40 (-40) to 80 (176)
Material	PA-6	PA-6
Unit mass Kg (lbs)	0.060 (0.13)	0.065 (0.14)
Pipe hole Ø to accept nozzle mm (inches)	22.0 (0.866)	26.0 (1.023)

Nozzle sizes can be optimised using Goyen's GOCO software. Contact your local Goyen representative.