

Technical Specification **Bulkhead Connectors**



Description

Goyen produces a range of aluminium diecast bulkhead connectors designed to ease the installation of cleaning systems onto dust collectors. These components eliminate the requirement for welding and allow easy removal of cleaning systems and blowtubes for maintenance purposes.

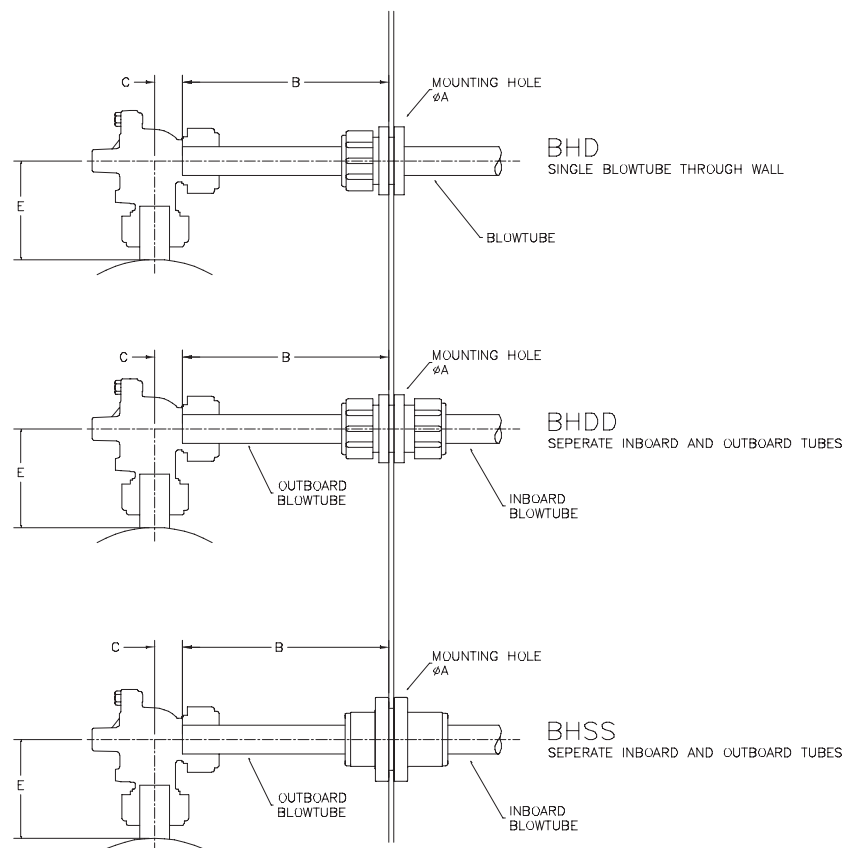
Suitable for

Most reverse pulse jet dust collector installations and their variations including bag filters, cartridge filters, envelope filters, ceramic filters, and sintered metal fibre filters.

Installation

Model	ØA mm (inches)	B mm (inches)
BH20D	45 - 51 (1.75 - 2.0)	97 (3.81)
BH25D	56 - 62 (2.2 - 2.4)	118 (4.63)
BH40D	72 - 78 (2.8 - 3.1)	157 (6.19)
BH20DD	45 - 51 (1.75 - 2.0)	97 (3.81)
BH25DD	56 - 62 (2.2 - 2.4)	118 (4.63)
BH40DD	72 - 78 (2.8 - 3.1)	157 (6.19)
BH25SS	56 - 62 (2.2 - 2.4)	118 (4.63)
BH45SS	72 - 78 (2.8 - 3.1)	157 (6.19)

Mating Valve	C mm (inches)	E mm (inches)
20DD	22 (0.86)	105 (4.13)
25DD	30 (1.18)	121 (4.76)
45DD	40 (1.57)	155 (6.10)
20T	7 (0.28)	NA
25T	5 (0.20)	NA
45T	16 (0.63)	NA
20FS	34 (1.34)	66 (2.60)
25FS	67 (2.63)	82 (3.23)
45FS	88 (3.46)	96 (3.78)

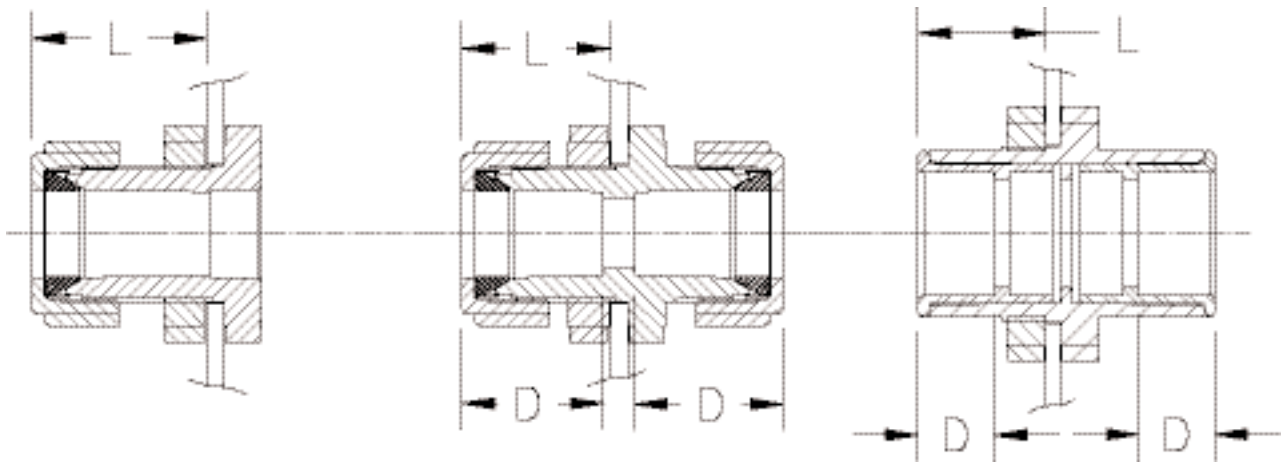


1. Dresser nut and slide seal assemblies are for sealing purposes only and are not intended for valve or blowtube restraint.
2. Blowtubes and valves must be independently restrained.
3. Do not pressurise system until all valves are fully secured.
4. Fully relieve pressure before conducting any work on the cleaning system components.

Dimensions

(Dimensions in mm and [inches])

Model	L - length mm (inches)	D - insertion depth mm (inches)
BH20D	51 (2.01)	34 (1.34)
BH25D	55 (2.17)	30 (1.18)
BH40D	72 (2.83)	48 (1.89)
BH20DD	52 (2.05)	52 (2.05)
BH25DD	55 (2.17)	58 (2.28)
BH40DD	72 (2.83)	Not Applicable
BH25SS	52 (2.05)	Not Applicable
BH45SS	51 (2.01)	Not Applicable



Order Code and Characteristics

Order Code	Nom. Pipe size mm (inches)	Style	Material	Temperature Range °C (°F)	Unit Mass Kg (lbs)
BH20D	20 (3/4)	Single dresser nut	Diecast aluminium & nitrile	-40 (-40) to 80 (176)	0.27 (0.60)
BH20D-V	20 (3/4)	Single dresser nut	Diecast aluminium & viton	-29(-20.2) to 232(449.6)	0.27 (0.60)
BH25D	25 (1)	Single dresser nut	Diecast aluminium & nitrile	-40 (-40) to 80 (176)	0.40 (0.88)
BH25D-V	25 (1)	Single dresser nut	Diecast aluminium & viton	-29(-20.2) to 232(449.6)	0.40 (0.88)
BH40D	40 (1.5)	Single dresser nut	Diecast aluminium & nitrile	-40 (-40) to 80 (176)	0.76 (1.68)
BH40D-V	40 (1.5)	Single dresser nut	Diecast aluminium & viton	-29(-20.2) to 232(449.6)	0.76 (1.68)
BH20DD	20 (3/4)	Two dresser nuts	Diecast aluminium & nitrile	-40 (-40) to 80 (176)	0.41 (0.90)
BH20DD-V	20 (3/4)	Two dresser nuts	Diecast aluminium & viton	-29(-20.2) to 232(449.6)	0.41 (0.90)
BH25DD	25 (1)	Two dresser nuts	Diecast aluminium & nitrile	-40 (-40) to 80 (176)	0.66 (1.46)
BH25DD-V	25 (1)	Two dresser nuts	Diecast aluminium & viton	-29(-20.2) to 232(449.6)	0.66 (1.46)
BH40DD	40 (1.5)	Two dresser nuts	Diecast aluminium & nitrile	-40 (-40) to 80 (176)	1.16 (2.56)
BH40DD-V	40 (1.5)	Two dresser nuts	Diecast aluminium & viton	-29(-20.2) to 232(449.6)	1.16 (2.56)
BH25SS	25 (1)	Slide seal	Diecast aluminium & EPDM	-40 (-40) to 80 (176)	0.53 (1.17)
BH25SS-V	25 (1)	Slide seal	Diecast aluminium & viton	-29(-20.2) to 232(449.6)	0.53 (1.17)
BHS25SS	25 (1)	Slide seal	316 stainless steel & viton	-29(-20.2) to 232(449.6)	1.5* (3.4)*
BH45SS	40 (1.5)	Slide seal	Diecast aluminium & EPDM	-40 (-40) to 80 (176)	0.85 (1.87)
BH45SS-V	40 (1.5)	Slide seal	Diecast aluminium & viton	-29(-20.2) to 232(449.6)	0.85 (1.87)
BHS45SS	40 (1.5)	Slide seal	316 stainless steel & viton	-29(-20.2) to 232(449.6)	2.5* (5.4)*

* Approximate mass only